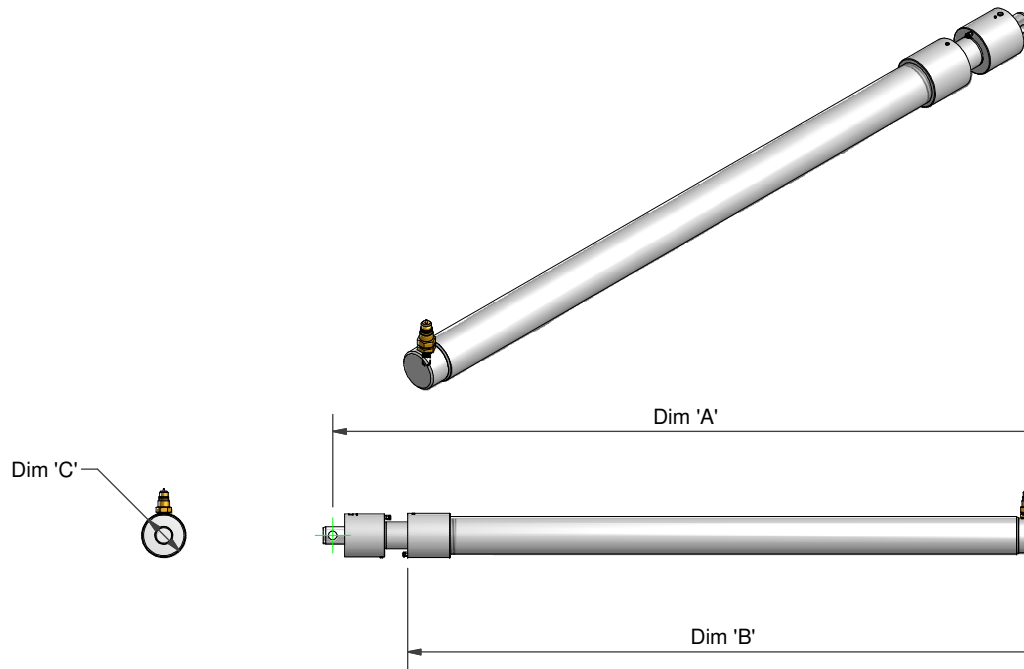




An independent family business since 1867

Midilift SL Ram information

Stannah



Drg. number	Max. lift travel	Ram stroke	Dim. 'A'	Dim. 'B'	Dim. 'C'	Estimated weight	Rupture valve size	Rupture valve gap	Pump unit
6100196	2000mm	2100mm	1320mm	1205mm	dia. 70mm	29.0kg	3/8" BSP	0.55 - 0.6mm	7lt/min.
6100295	3000mm	3100mm	1815mm	1696mm	dia. 70mm	39.5kg	3/8" BSP	0.55 - 0.6mm	7lt/min.
6100612	3400mm	3500mm	2050mm	1922mm	dia. 80mm	57.0kg	3/8" BSP	0.8 - 0.9mm	10lt/min.
6100611	3700mm	3800mm	2200mm	2072mm	dia. 80mm	61.0kg	3/8" BSP	0.8 - 0.9mm	10lt/min.
6100370	4000mm	4100mm	2350mm	2222mm	dia. 80mm	65.0kg	3/8" BSP	0.8 - 0.9mm	10lt/min.
6101028	4300mm	4400mm	2490mm	2343mm	dia. 89mm	82.0kg	3/8" BSP	0.8 - 0.9mm	10lt/min.
6101027	4700mm	4800mm	2690mm	2543mm	dia. 89mm	88.5kg	3/8" BSP	0.8 - 0.9mm	10lt/min.
6101026	5000mm	5100mm	2840mm	2693mm	dia. 89mm	93.5kg	3/8" BSP	0.8 - 0.9mm	10lt/min.
500848	5000mm	5200mm	2163mm	-	dia.105mm	102.0Kg	1/2"BSP	1.25mm	15lt/min
500849	5500mm	5700mm	2337mm	-	dia.105mm	109.0Kg	1/2"BSP	1.25mm	15lt/min
500850	6000mm	6200mm	2511mm	-	dia.105mm	116.5Kg	1/2"BSP	1.25mm	15lt/min
500851	6500mm	6700mm	2684mm	-	dia.105mm	123.0Kg	1/2"BSP	1.25mm	15lt/min
500852	7000mm	7200mm	2858mm	-	dia.105mm	130.0Kg	1/2"BSP	1.25mm	15lt/min

Waiver

The data sheet is for guidance only & must not be used for proper working drawings. Please contact Stannah Lifts for particular details before proceeding. Owing to our policy of continual improvement, we reserve the right to alter specifications & dimensions without prior notice.

Stannah Lifts Ltd.
Anton Mill, Andover, Hampshire, SP10 2NX

Tel: 01264 339090
www.stannahlifts.co.uk

Information
sheet

SL 809

17.05.12